



Promise-Auto

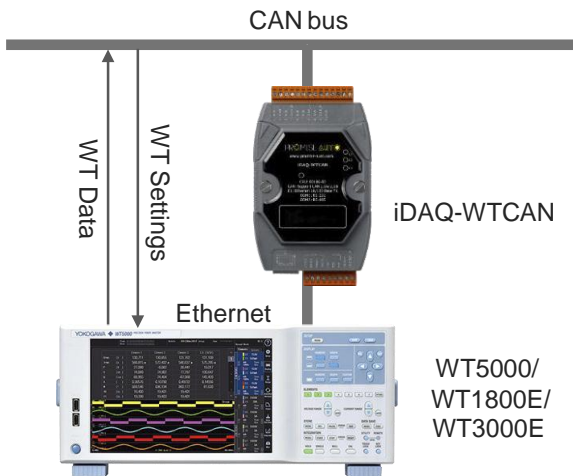
iDAQ-WTCAN

—WT-CAN Adapter

Overview

This is a CAN communication adapter customized for Yokogawa power analyzer. The adapter collects the measurement data of the power meter connected via Ethernet and converts the data into CAN messages for sending to the CAN bus. At the same time, the adapter can also receive CAN bus messages and change part of common settings of the power meter.

System Configuration



Specifications

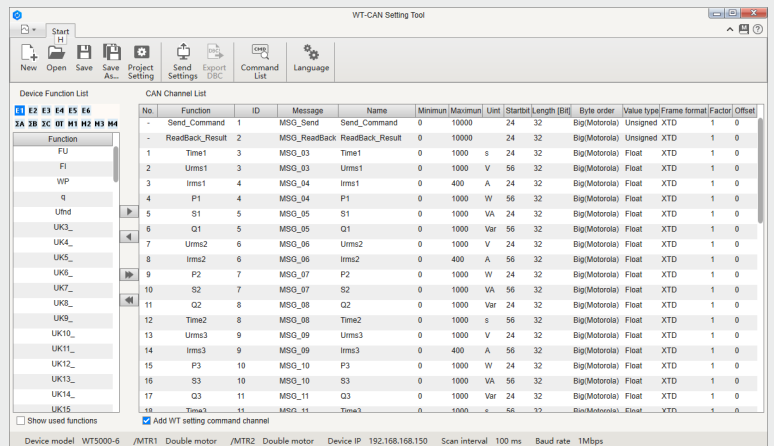
- WT5000, WT1800E and WT3000E Power analyzers are supported.
- The adapter supports both CAN2.0A and 2.0B versions.

Performance

- Support reading and converting 1000 parameters.
- The fastest conversion period of 300 parameters is 50ms.
- The interval period for reading the setting information from the CAN bus is 200ms.
- Support WT5000 10ms Update Rate and read up to 50 parameters.

Dedicated Configuration Software

Configure the WT channel information that needs to collect and generate a DBC file through the WT-CAN Setting Tool.



Model and Description

Configure the WT channel information that needs to collect and generate a DBC file through the WT-CAN Setting Tool.

Model	Suffix code	Description
iDAQ-WTCAN		Power Meter CAN Communication Adapter
Language	-HC	Chinese
	-HE	English
Version	-I	Support WT5000/WT1800E/WT3000E

General Agent:
Yokogawa Test & Measurement (Shanghai) Co., Ltd.

Room 603, No. 799 Tianshan West Road,
Changning District, Shanghai China

Tel: (86) 21-2250-7676

<https://tmi.yokogawa.com/cn>

Manufacturer: Promise-auto Technology Co., Ltd.

